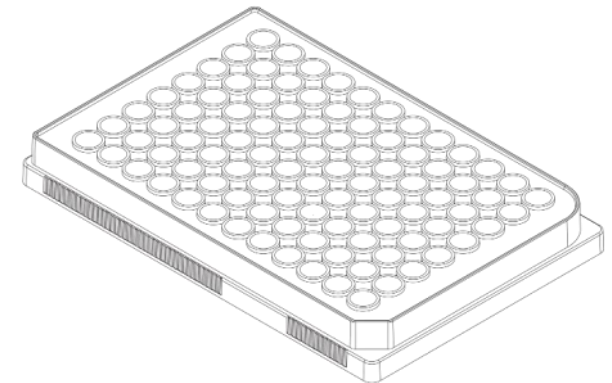
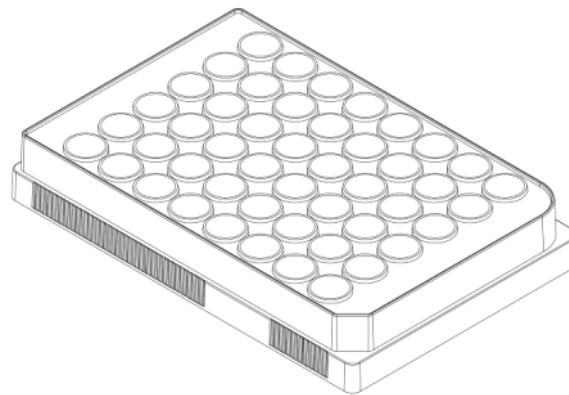
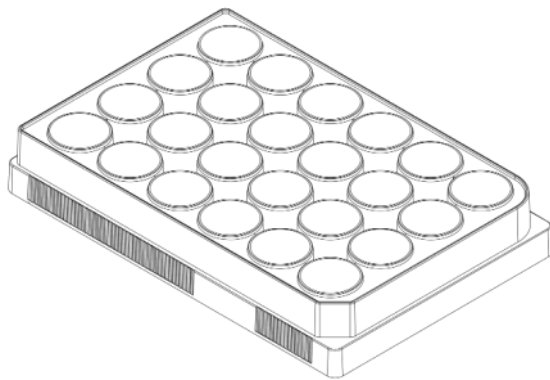
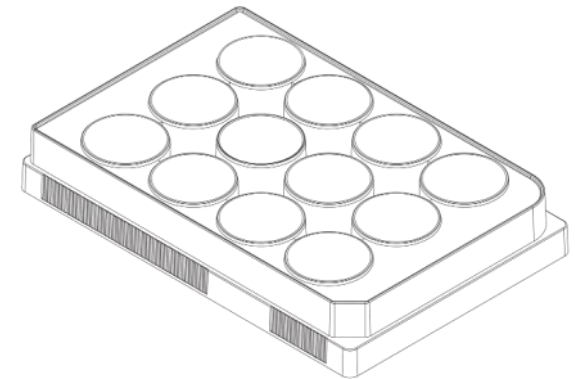
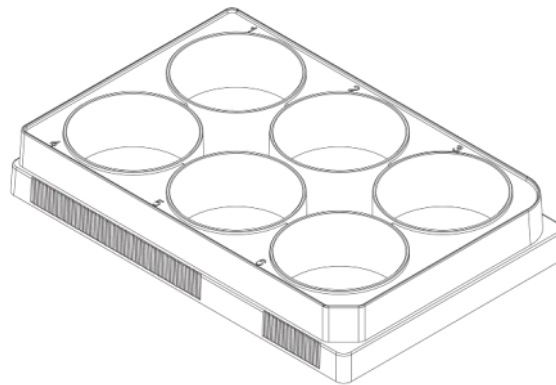
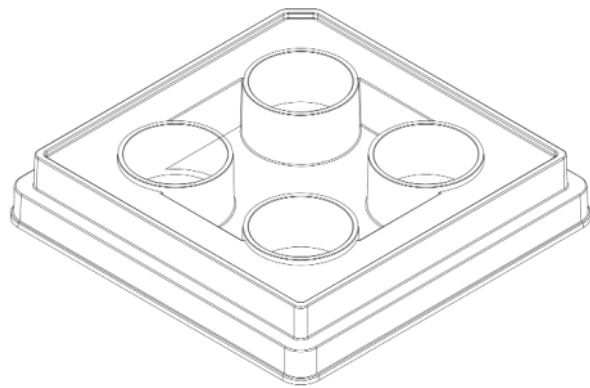


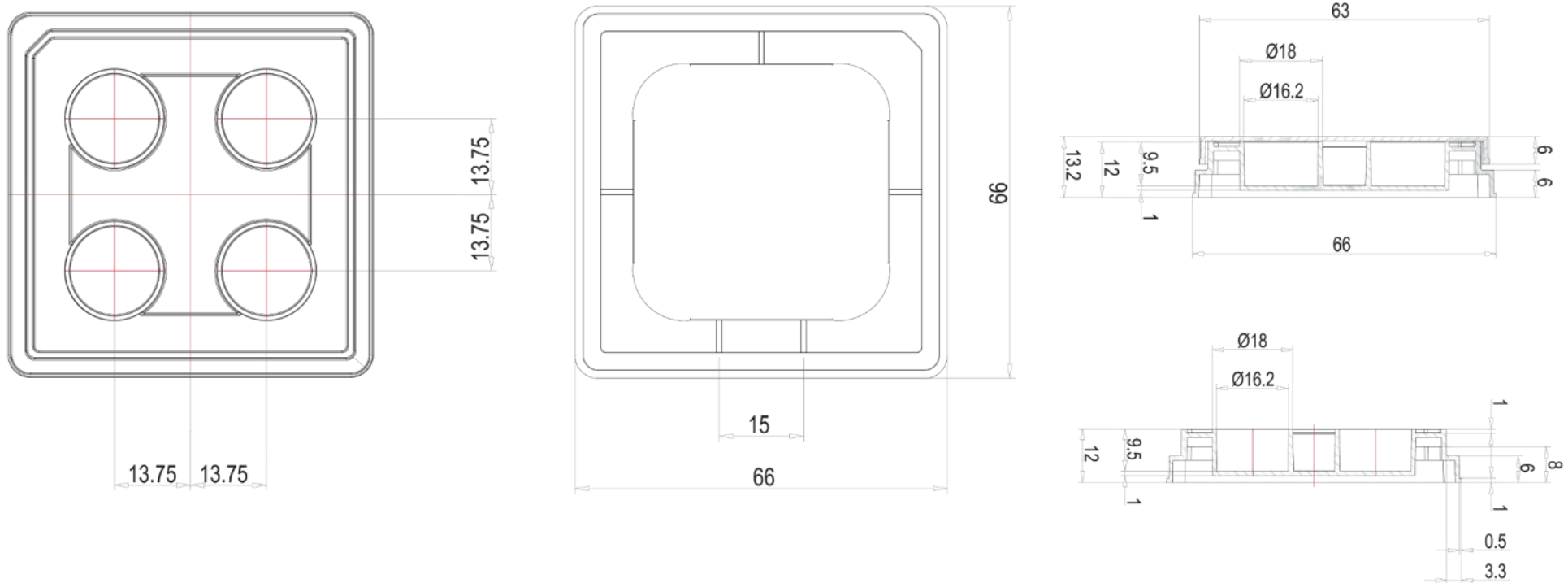
Technical Data Sheet



30004 Tissue Culture Plate

Technical Data Sheet

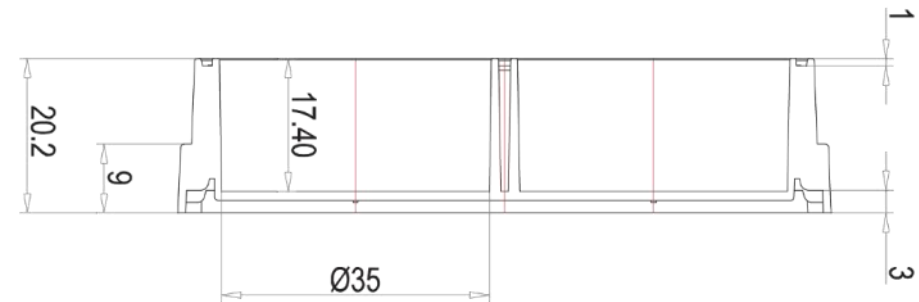
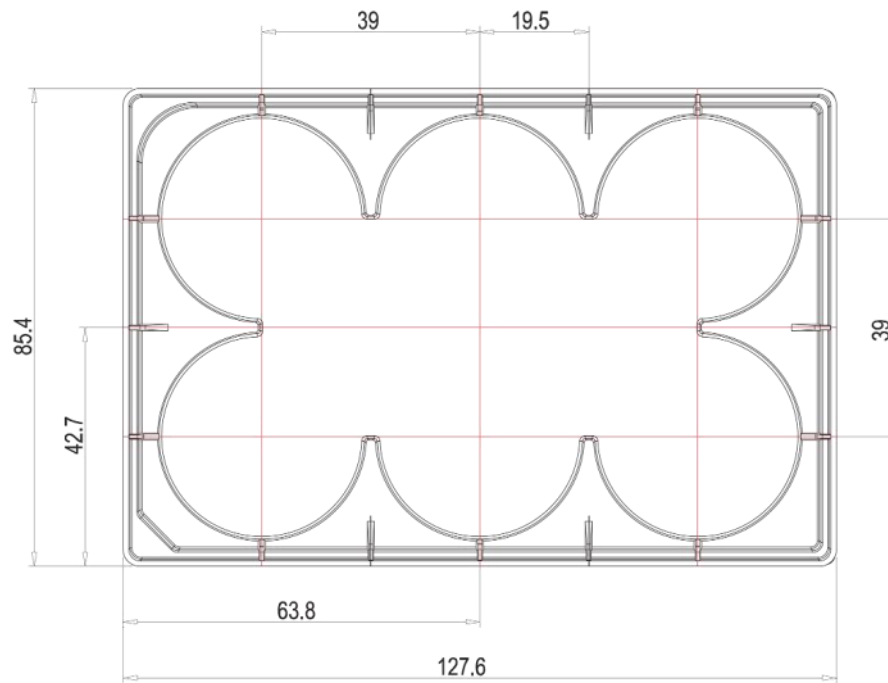
30004: Tissue Culture Plate 4well PS, 66x66mm, flat bottom, growth surface 2cm²



30006 Tissue Culture Plate

Technical Data Sheet

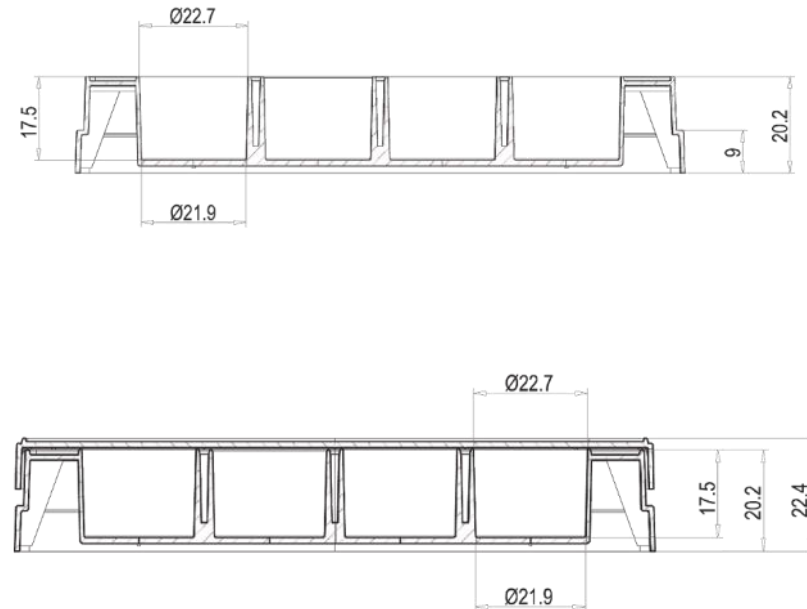
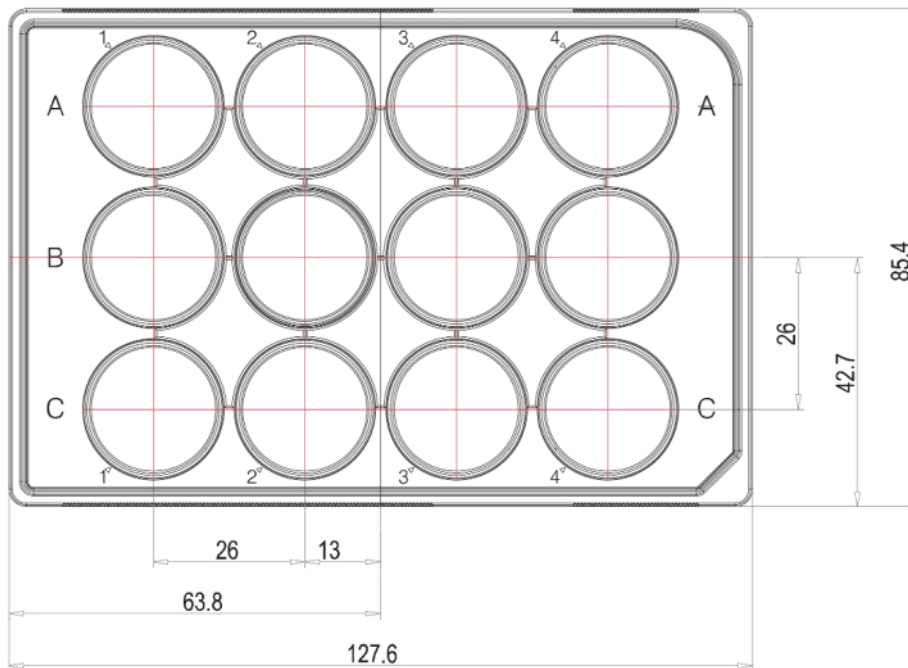
30006: Tissue Culture Plate 6well PS, 85.4×127.6mm, plasma activated surface, flat bottom, growth surface 9.6cm²



30012 Tissue Culture Plate

Technical Data Sheet

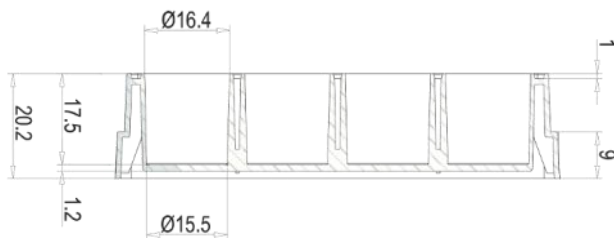
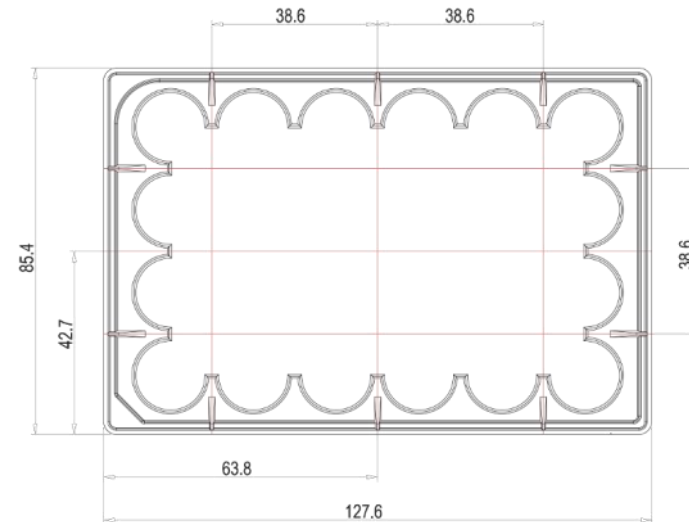
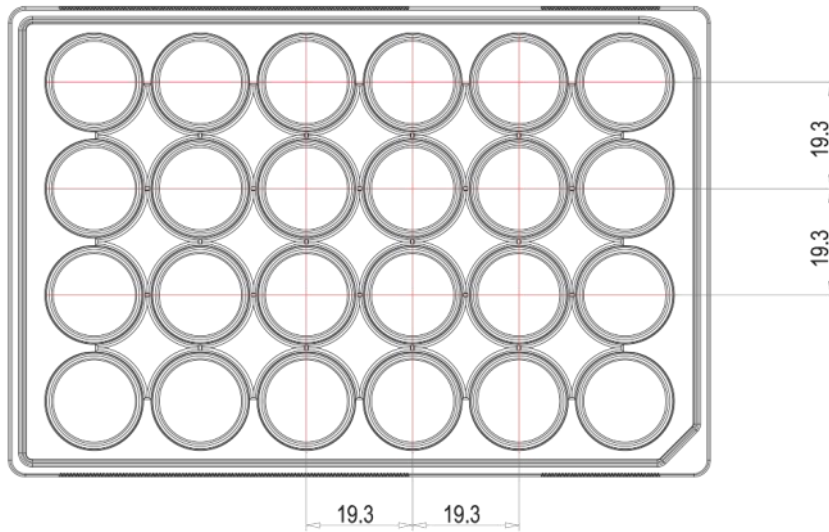
30012: Tissue Culture Plate 12well PS, 85.4×127.6mm, plasma activated surface, flat bottom, growth surface 3.8cm²



30024 Tissue Culture Plate

Technical Data Sheet

30024: Tissue Culture Plate 24well PS, 85.4×127.6mm, plasma activated surface, flat bottom, growth surface 1.9cm²

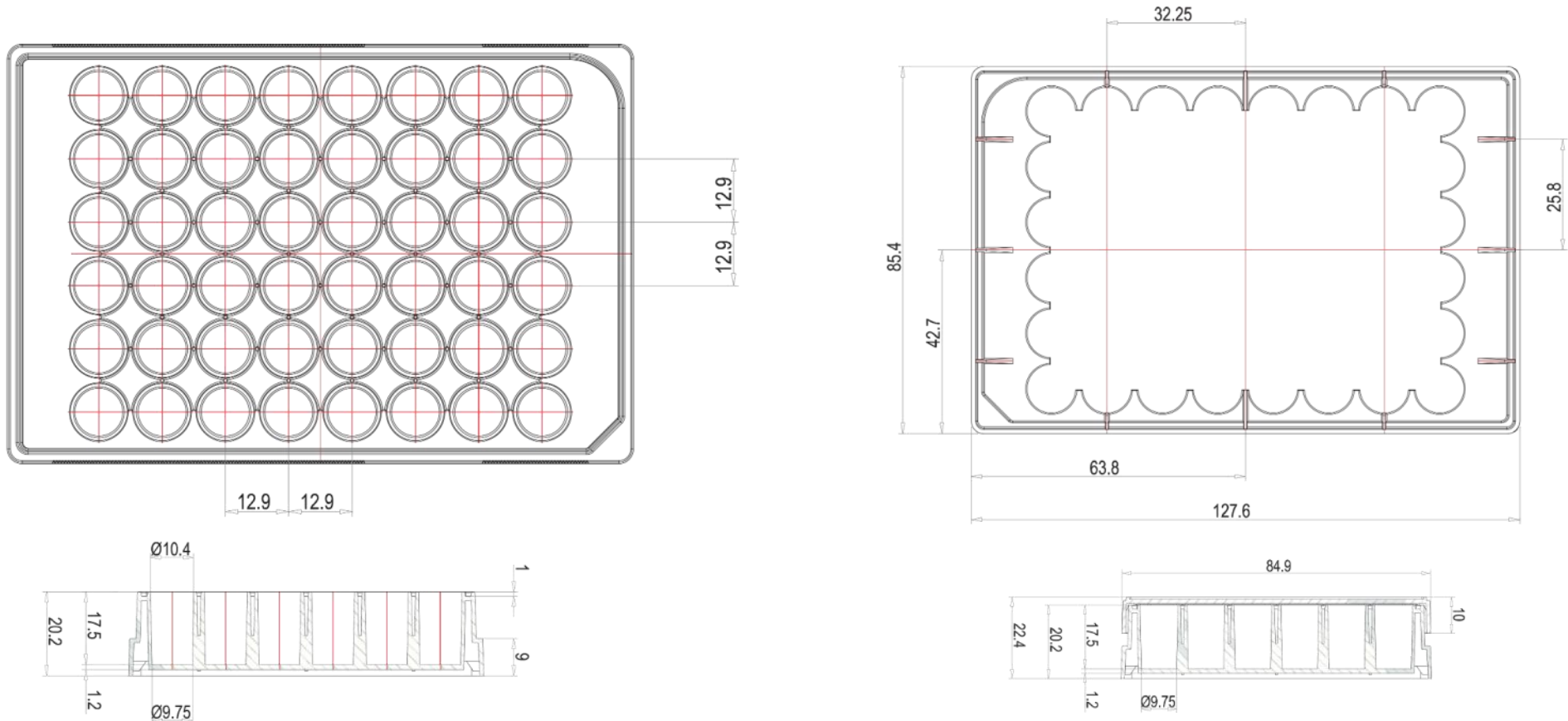


30048 Tissue Culture Plate



Technical Data Sheet

30048: Tissue Culture Plate 48well PS, 85.4×127.6mm, plasma activated surface, flat bottom, growth



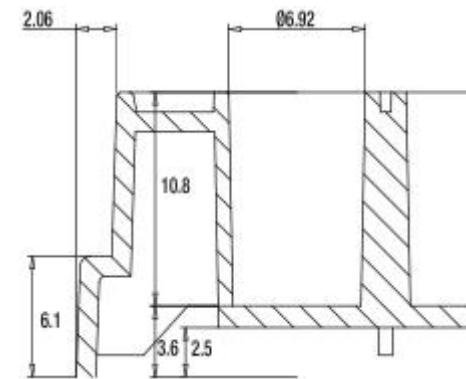
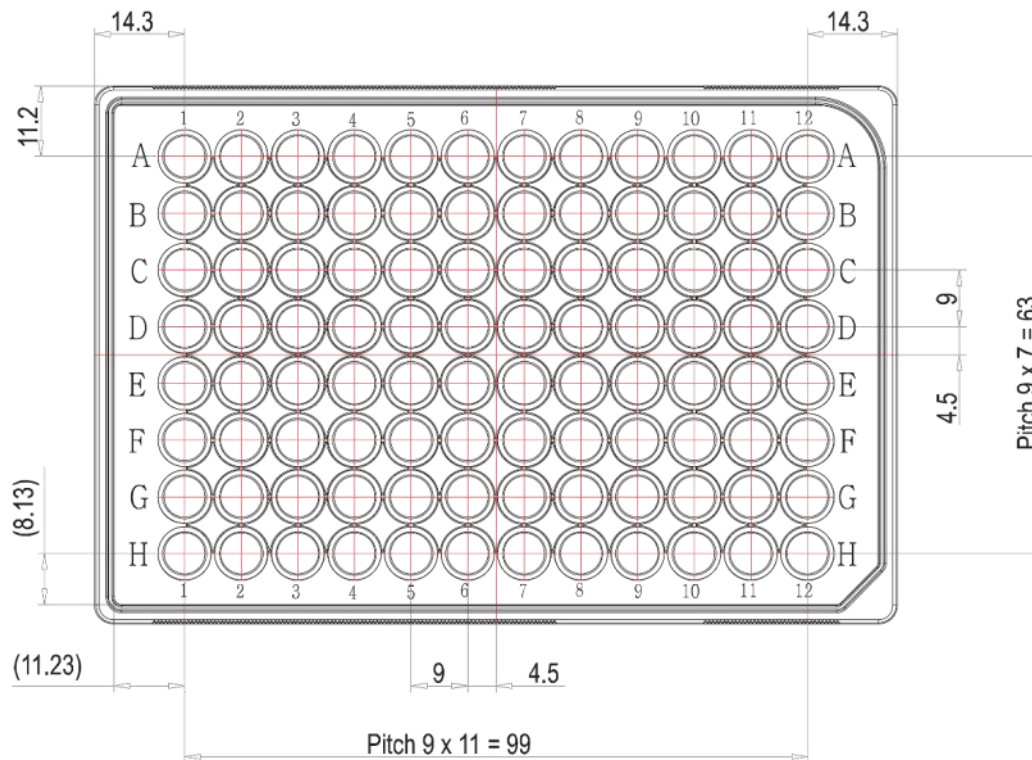
30096/34096 Tissue Culture Plate



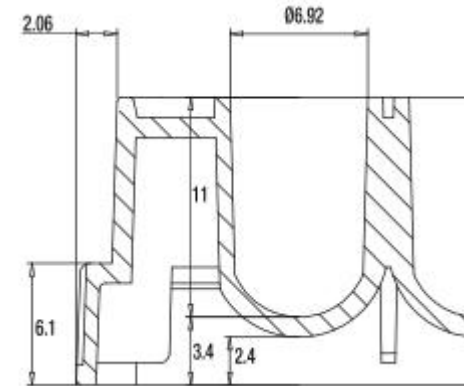
Technical Data Sheet

30096: Tissue Culture Plate 96well PS, 85.4x127.6mm, flat bottom, growth surface 0.32cm²

34096: Tissue Culture Plate 96well PS, 85.4x127.6mm, round bottom, growth surface 0.32cm²



30096: Side View



34096: Side View